
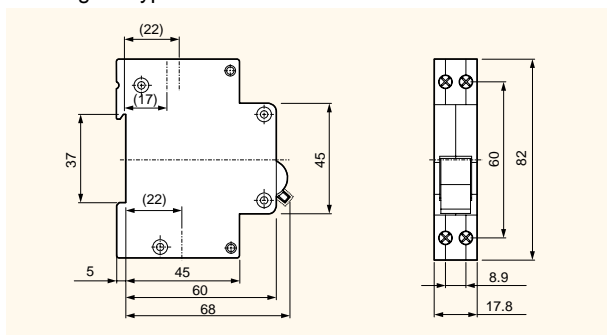


Miniature circuit breakers

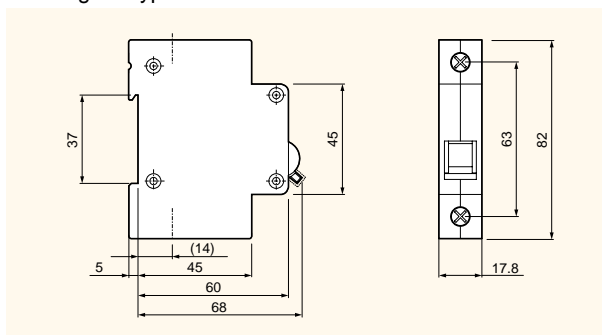
1, 2, 3 and 4 pole series up to 125AF

Type	BKP	BKN		
Protection	Overload and short circuit	Overload and short circuit		
Rated current	3,6,10,16,20,25,32A	1,2,3,4,6,10,16,20,25,32,40,50,63A		
Characteristic	B, C, D curve	B, C, D curve		
Number of poles	1p+N	1p, 1p+N, 2p, 3p, 3p+N, 4p		
Breaking capacity	4.5kA at 230VAC	1 pole	2~4 pole	
		1A	6kA at 230/400VAC	6kA at 400VAC
		2A		
		3A		
		4A		
		6A		
		10A		
		16A		
		20A		
		25A		
		32A		
		40A		
		50A		
		63A		
80A				
100A				
125A				
Standard	IEC 60898	IEC 60898		
Type of trip	Thermal magnetic release	Thermal magnetic release Thermal magnetic release		
Electrical endurance	20000 operations	6000 operations		
Mount	On 35mm DIN rail	On 35mm DIN rail		
Width	9mm per pole	17.8mm per pole		
Terminal	Lug type(cable up to 10mm ²)	Lug type(cable up to 25mm ²)		
Auxiliary switch, AX		 <p>1 changeover contact 6A at 240VAC, 3A at 415VAC 2A at 48VDC, 1A at 125VDC</p> <p>Lug terminal cable capacity 2.5mm²</p> <p>9mm wide</p>		
Optional				
Dimension	See drawing 1	See drawing 2		
Characteristic curve	See curve 1	See curve 1		

Drawing 1 : Type BKP



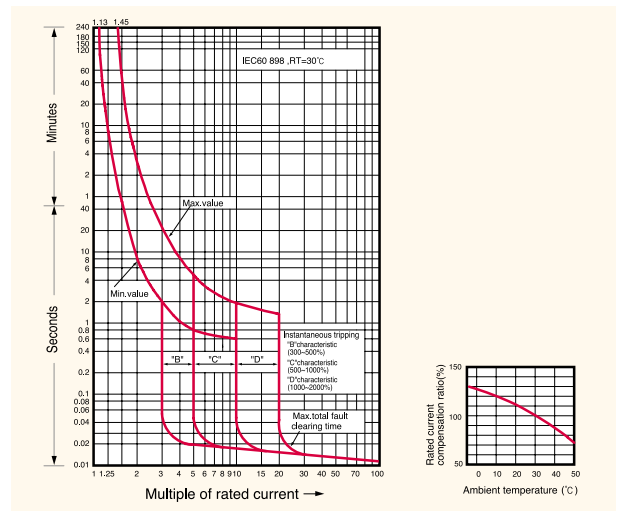
Drawing 2 : Type BKN



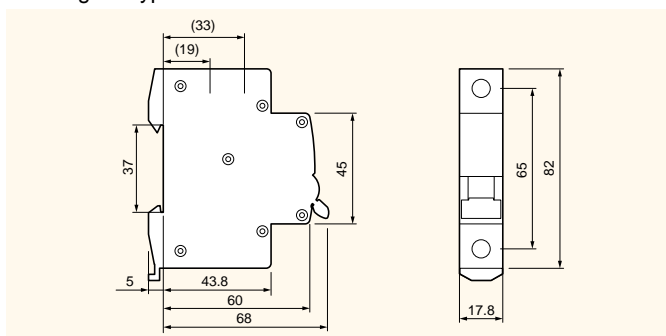


BKN-b		BKH	
Overload and short circuit		Overload and short circuit	
1,2,3,4,6,10,20,25,32,40,50,63A		63, 80, 100, 125A	
B, C, D curve		C, D curve	
1p, 1p+N, 2p, 3p, 3p+N, 4p		1p, 1p+N, 2p, 3p, 3p+N, 4p	
1 pole	2-4 pole	1 pole	2-4 pole
10kA at 400VAC	10kA at 400VAC	10kA at 230/400VAC	10kA at 400VAC
IEC 60898		IEC 60947-2	
Thermal magnetic release			
8000 operations		6000 operations	
On 35mm DIN rail		On 35mm DIN rail	
17.8mm per pole		27mm per pole	
Lug type(cable up to 25mm ²)		Lug type(cable up to 50mm ²)	
See drawing 3		See drawing 4	
See curve 1		See curve 1	

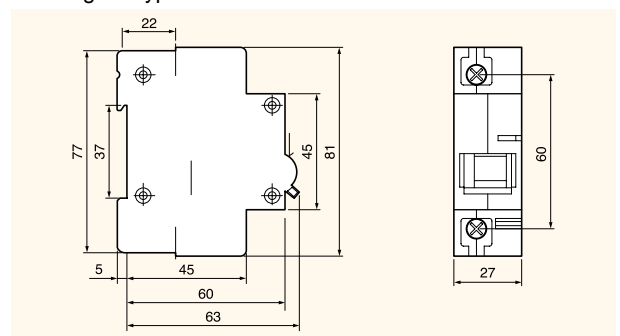
Curve 1 : Type BKP, BKN, BKN-b, BKH, RKP



Drawing 3 : Type BKN-b



Drawing 4 : Type BKH

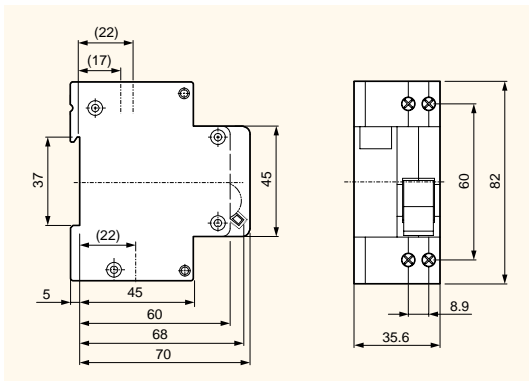


Residual current circuit breakers

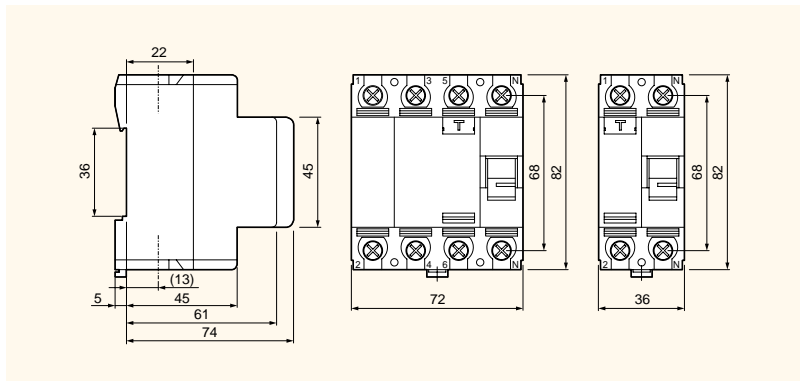
2 and 4 pole series up to 63AF

Type	RKP	RKS	RKN
Protection	Ground fault and overcurrent	Ground fault and overcurrent Ground fault	Ground fault
Rated current, I _n	3(C,D),6,10,16,20,25,32A(B,C,D curve)	6, 10, 16, 20, 25, 32A (B, C curve)	25, 32, 40, 63A
Rated residual current			
Operating, I _{Δn}	30, 100, 300mA(non-adjustable)	30, 100mA (non-adjustable)	30, 100, 300mA(non-adjustable)
Non-operating, I _{Δno}	0.5I _{Δn}	0.5I _{Δn}	0.5I _{Δn}
Number of poles	1P+N	1P+N	2, 4 pole
Rated voltage	230VAC	230VAC	230VAC(2p), 230/400VAC(4p)
Residual current off-time	≤ 0.1 sec.	≤ 0.3 sec.	≤ 0.1 sec.
Standard	IEC 61009	IEC 61009	IEC 61008
Type of trip			
Ground fault	Electro-magnetic	Electro-magnetic	Electro-magnetic
Overcurrent	Thermal-magnetic	Thermal-magnetic	N.A
Breaking capacity	4.5kA	10kA	
Conditional short circuit capacity			6kA for I _n =25, 32, 40, 63A
Electrical endurance	20000 operations	≤ 4000 operations	6000 operations
Mount	On 35mm DIN rail	On 35mm DIN rail	On 35mm DIN rail
Width	9mm per pole	9mm per pole	18mm per pole
Terminal	Lug type(cable up to 10mm ²)	Lug type(cable up to 10mm ²)	Lug type(cable up to 35mm ²)
Dimension	See drawing 1	See drawing 5	See drawing 2
Characteristic curve	See page 5 (curve 1)		

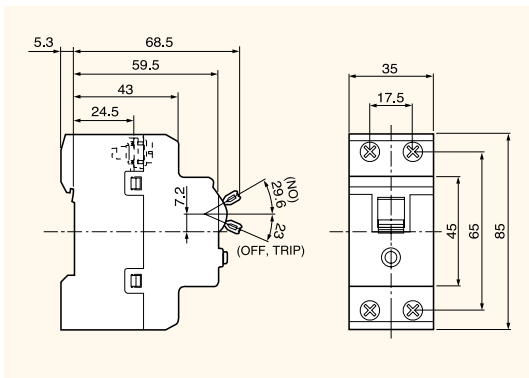
Drawing 1 : Type RKP



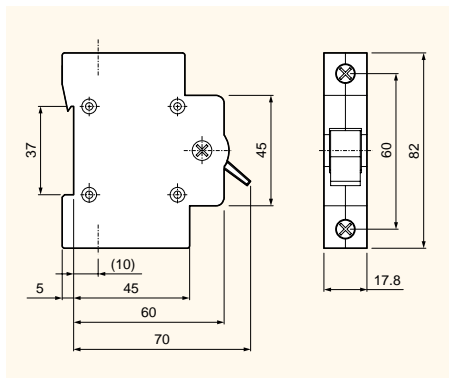
Drawing 2 : Type RKN



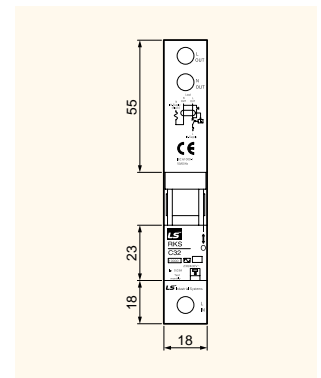
Drawing 3 : Type KGR



Drawing 4 : Type BKD



Drawing 5 : Type RKS





32KGRa		32KGRb
Ground fault and overcurrent		
15, 20, 30A		
15, 30mA(non-adjustable)		
0.5I _{Δn}		
2 pole		
110/220VAC		
≤ 0.03 sec.		
KS, JIS *(IEC61009)		
Electronic		
Bimetallic		
1.5kA	2.5kA	
6000 operations		
On 35mm DIN rail		
35mm		
Screw clamp type(cable up to 25mm ²)		
See drawing 3		
See curve 1		

Note) * IEC61009 standard is applicable for 32KGRa only.

Type	BKD	
Rated current, I _n	40, 50, 63, 80, 100, 125A	
Number of poles	1p, 2p, 3p, 4p	
Rated voltage	230/400VAC	
Standard	IEC 60947-3	
Electrical endurance	40, 50, 63A	20000 operations
	80, 100, 125A	10000 operations
Mount	On 35mm DIN rail	
Width	17.8mm per pole	
Terminal	Lug type(cable up to 50mm ²)	
Dimension	See drawing 4	

Curve 1 : Type 32KGRa, 32KGRb

