



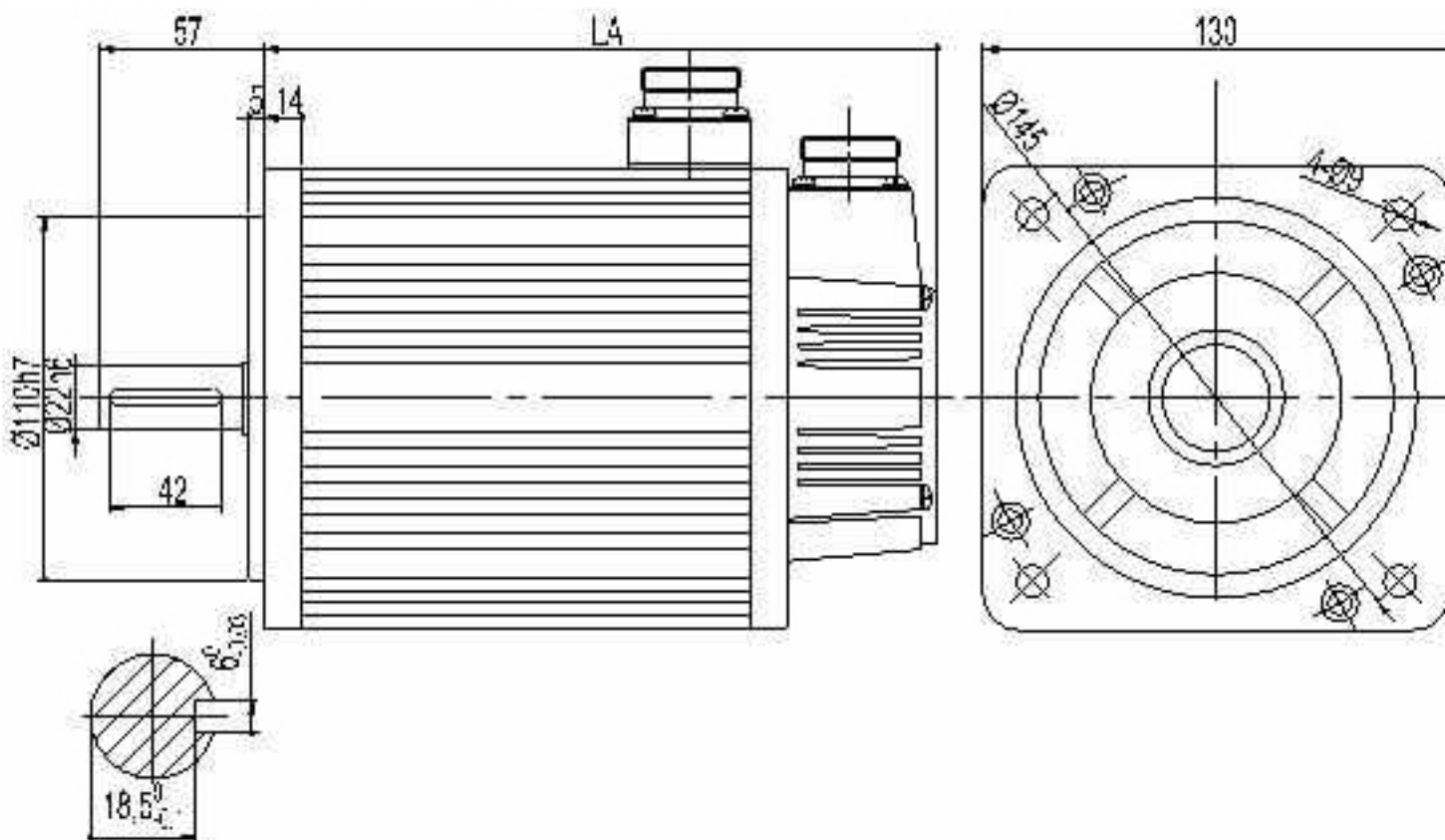
130 series motor

DS series servo motor match DS2 series single phase / three-phase 1.5 ~ 3.0KW servo drive encoder lines 2500ppr

Product Specifications

Voltage level	220V					380V		
Motor Model MS-130ST-	M06025 21P5		M10015 21P5	M07725 22P0	M15015 22P3	M06025 41P5	M10015 41P5	M10030 43P0
Motor Codes	0042	1042	0044	0043	0046	0142	0144	1148
Rated power (KW)	1.5	1.5	1.5	2.0	2.3	1.5	1.5	3.0
Rated Current (A)	6.0	7.4	6.0	7.5	9.5	3.7	3.5	6.4
Rated speed (rpm)	2500	2500	1500	2500	1500	2500	1500	3000
Maximum speed (rpm)	3000	3000	2000	3000	2000	3000	2000	3500
Rated torque (N · m)	6	6	10	7.7	15	6	10	10
Peak torque (N · m)	18	18	30	22	30	18	25	25
EMF constant (V / krpm)	65	82	103	68	114	110	177	88.3
Moment coefficient (N · m / A)	1.0	0.81	1.67	1.03	1.58	1.6	2.86	1.56
Rotor Inertia (Kg · m ²)	1.26 × 10 ⁻³	7.43 × 10 ⁻³	1.94 × 10 ⁻³	1.53 × 10 ⁻³	2.77 × 10 ⁻³	1.26 × 10 ⁻³	1.94 × 10 ⁻³	1.125 × 10 ⁻³
Windings (between lines) Resistance (Ω)	1.01	0.7	1.29	1.01	1.1	3.5	4.37	0.46
Windings (between lines) Inductance (mH)	2.94	5.07	5.07	2.94	4.45	10.75	15	1.52
Electrical time constant ms	3.8	7.5	3.93	3.8	4.05	3.07	3.46	3.33
Weight (Kg)	10	7.16	11.5	10	14.4	8.9	11.5	11.4
Encoder number (PPR) line	2500							
Number of pole pairs	4							
Insulation class	Class B (130 °C)							
Protection class	IP65							
Environment	Ambient temperature	-20 °C ~ +50 °C						
	Humidity	Relative humidity <90% (non-condensing conditions)						

Product Dimensions (Unit: mm)



Model	LA	
	Conventional	With brake
MS-130ST-M06025 □ □-21P5	179	236
MS-130ST-M10015 □ □-21P5	213	270
MS-130ST-M07725 □ □-22P0	192	249
MS-130ST-M15015 □ □-22P3	241	298
MS-130ST-M06025 □ □-41P5	179	236
MS-130ST-M10015 □ □-41P5	213	270
MS-130ST-M10030 □ □-43P0	230	288