

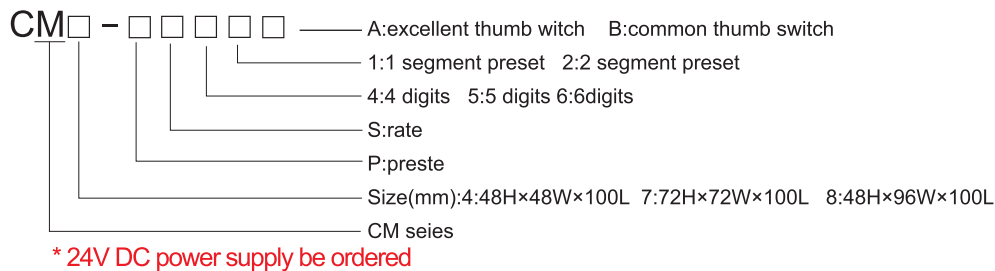
CM SERIES COUNTER/TIMER/LENGTH SERIES



FEATURES

- ⊙ Single LED, 4, 5, 6 digits for option
- ⊙ Size: 48W×48H
72W×72H 96W×48H
- ⊙ Thumb switch and key set
- ⊙ CP1, CP,4 operating mode:A, B, C, D
- ⊙ Transistor or relay output;
Out put mode :F, N, R, C, K1, K2
P, Q, A, D, H, L
- ⊙ Power fail memory
- ⊙ key or thumb switch can be locked
- ⊙ key or outer ports reset
- ⊙ key or outer ports pause
- ⊙ 8 operating mode,decimat,sexagesimal
- ⊙ Delay time,H,M,S.
- ⊙ Enchanced anti-interference

CODE ILLUSTRATION



ORDERING CODE

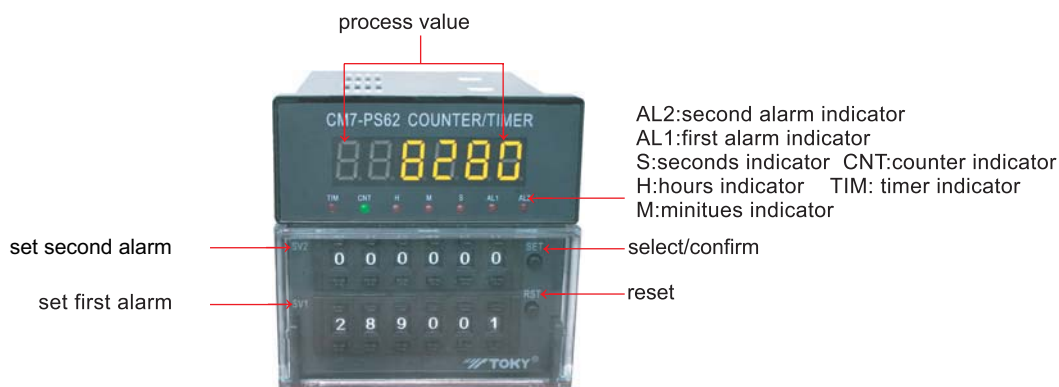
code	size mm	LED	segment	relay alarm	power	auxiliary	output mode
CM4-PS41A/B	48H×48W×100L	4	one	AL2	AC 90~250V	+12V	F、N、R、 C、K1、K2、 P、Q、A、 D、H、L
CM7-PS41A/B	72H×72W×100L	4	one	AL2	AC 110/220V	+12V	
CM7-PS42A/B	72H×72W×100L	4	two	AL1、AL2	AC 110/220V	+12V	
CM7-PS61A/B	72H×72W×100L	6	two	AL2	AC 110/220V	+12V	
CM7-PS62A/B	72H×72W×100L	6	two	AL1、AL2	AC 110/220V	+12V	
CM8-PS51A/B	48H×96W×100L	5	one	AL2	AC 110/220V	+12V	
CM8-PS52A/B	48H×96W×100L	5	two	AL1、AL2	AC 110/220V	+12V	

TECHNICAL SPECIFICATION

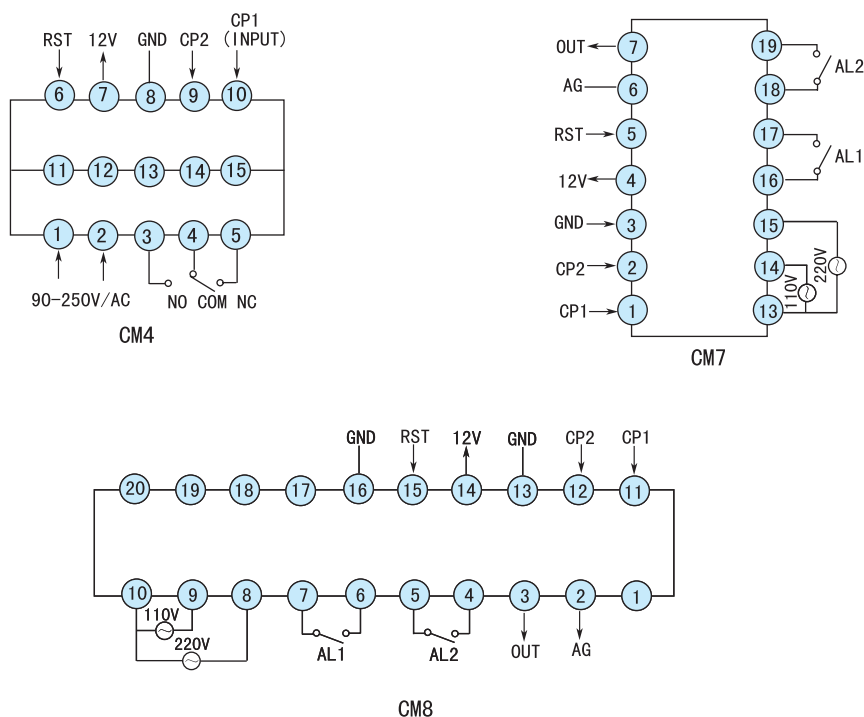
POWER	CM7、CM8:220VAC±15% or110VAC±15% CM4:90~250VAC
Consumption	<5W
Input singal	altitude:Hight:5~30V
trigger	rising edge
input frequency MAX	5/30/100/200/1000/3000cps
Data resrve	10 years
Amibent temperature	10℃ ~ 50℃
Anti-interference	IEC801 3 standard
range	-199999~999999(6 digit) ;-19999~99999(5 digit);-1999~9999(4 digit)
Delaytime	0.01~9999.99S(6 digit) , 000.01~999.99S(5 digit) , 00.01~99.99S(4 digit)
Input impedance	≥10KΩ

Capacity of relay	AC 250V 3A(resistive)
capacity of transistor	CM7、CM8:12VDC±10% 50mA max CM4: DC 12VDC±10% 30mA max
Insulation impedance	≥100MΩ
Dielectric strength	AC 1.5KV 1min(power ports to outer ports)
Accuracy	0.1%FS
Ragne	0.01S~99H59M(4 digits) 0.01S~999H59M(5 digits) 0.01S~9999H59M(6 difits)
Size	48H×48W×100L 48H×96W×100L 72H×72W×100L

PANEL ILLUSTRATION



CONNECTION DIAGRAMS



NOTE: subjct to change without notice

DIMENSION

