

AI508 Series Temperature Controller Manual



Features:

- ⊙ TC / RTD / Analog signal universal input, selected by software menu.
- ⊙ With display, alarm and adjusting function
- ⊙ Advanced Two Degrees of Freedom PID Arithmetic.
- ⊙ Auto-tuning function suitable to different system (Quick heating / cooling and Slow heating system)
- ⊙ Optional control output, modularization design.
- ⊙ Good anti-interference.
- ⊙ Switching power supply 100-240VAC.
- ⊙ Applied to system temperature control application.

For your safe, please read the below content carefully before you use the temperature controller!

■ Safe Caution

※	Please read the manual carefully before you use the temperature controller.
※	Please comply with the below important points.
⚠	Warning An accident may happen if the operation does not comply with the instruction.
⚠	Notice An operation that does not comply with the instruction may lead to product damage.
※	The instruction of the symbol in the manual is as below.
⚠	An accident danger may happen in a special condition.

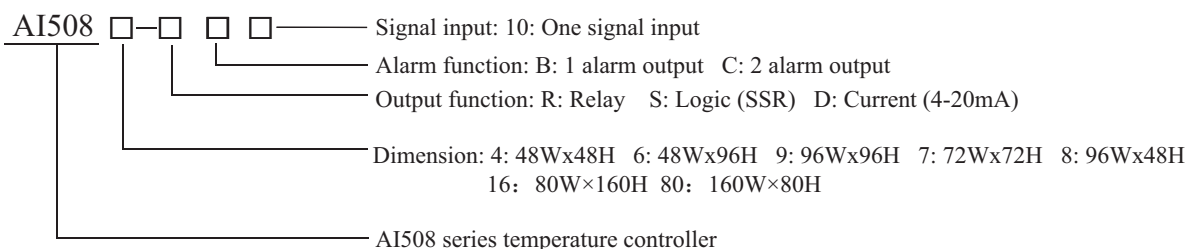
⚠ Warning

1. A safety protection equipment must be installed or please contact with us for the relative information if the product is used under the circumstance such as nuclear control, medical treatment equipment, automobile, train, airplane, aviation and equipment etc.. Otherwise, it may cause serious loss, fire or person injury.
2. A panel must be installed, otherwise it may cause creepage (leakage).
3. Do not touch wire connectors when the power is on, otherwise you may get an electric shock.
4. Do not dismantle or modify the product. If you have to do so, please contact with us first. Otherwise it may cause electric shock and fire.
5. Please check the connection number while you connect the power supply wire or input signal, otherwise it may cause fire.

⚠ Caution

1. This product cannot be used outdoors. Otherwise the working life of the product will become shorter, or an electric shock accident may happen.
2. When you connect wire to the power input connectors or signal input connectors, the moment of the No.20 AWG (0.50 mm²) screw tweaked to the connector is 0.74n.m - 0.9n.m. Otherwise the connectors may be damaged or get fire.
3. Please comply with the rated specification. Otherwise it may cause electric shock or fire, and damage the product.
4. Do not use water or oil base cleaner to clean the product. Otherwise it may cause electric shock or fire and damage the product.
5. This product should be avoid working under the circumstance that is flammable, explosive, moist, under sunshine, heat radiation and vibration. Otherwise it may cause explosion.
6. In this unit it must not have dust or deposit, otherwise it may cause fire or mechanical malfunction.
7. Do not use gasoline, chemical solvent to clean the cover of the product because such solvent can damage it. Please use some soft cloth with water or alcohol to clean the plastic cover.

1. Model



2. Model Indication

Model	Alarm No.	Control Output	Dimension(mm)
AI508-4-RB10	1	Relay	48Hx48WX105L
AI508-4-SB10	1	Logic (SSR)	48Hx48WX105L
AI508-4-DB10	1	Current	48Hx48WX105L
AI508-6-RC10	2	Relay	96Hx48WX112L
AI508-6-SC10	2	Logic (SSR)	96Hx48WX112L
AI508-6-DC10	2	Current	96Hx48WX112L
AI508-9-RC10	2	Relay	96Hx96WX118L
AI508-9-SC10	2	Logic (SSR)	96Hx96WX118L
AI508-9-DC10	2	Current	96Hx96WX118L
AI508-7-RC10	2	Relay	72Hx72WX112L
AI508-7-SC10	2	Logic (SSR)	72Hx72WX112L
AI508-7-DC10	2	Current	72Hx72WX112L
AI508-8-RC10	2	Relay	48Hx96WX112L
AI508-8-SC10	2	Logic (SSR)	48Hx96WX112L
AI508-8-DC10	2	Current	48Hx96WX112L
AI508-80-RC10	2	Relay	80Hx160WX112L
AI508-80-SC10	2	Logic (SSR)	80Hx160WX112L
AI508-80-DC10	2	Current	80Hx160WX112L
AI508-16-RC10	2	Relay	160Hx80WX112L
AI508-16-SC10	2	Logic (SSR)	160Hx80WX112L
AI508-16-DC10	2	Current	160Hx80WX112L

3. Technical Parameters

1) Meter Parameters

Power Supply	100-240V AC/DC
Total Current	<30mA (220VAC)
Ambient Temperature	0-50℃
Ambient Humidity	45-85RH%

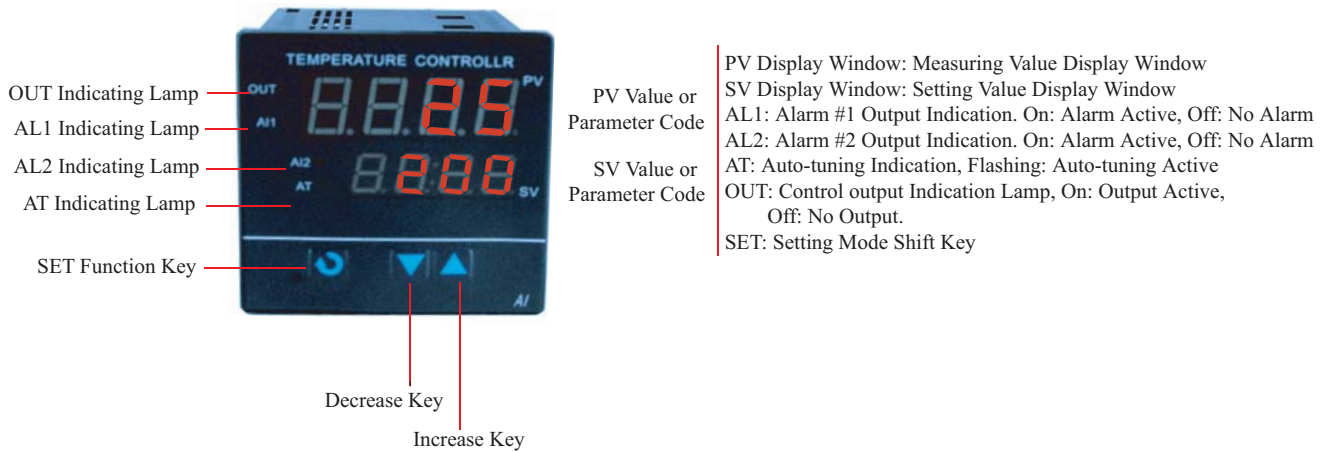
2) Input Signal

Code	Input type	Measuring range	Resolution	Accuracy	Input Impedance
0	S type TC	0-1600℃	1℃	0.5%FS±3digits	>100KΩ
1	B type TC	200-1800℃	1℃	0.5%FS±3digits	>100KΩ
2	K type TC	0-1300℃	1℃	0.5%FS±3digits	>100KΩ
3	E type TC	0-600℃	1℃	0.5%FS±3digits	>100KΩ
4	T type TC	0-300℃	1℃	0.5%FS±2digits	>100KΩ
5	J type TC	0-800℃	1℃	0.5%FS±3digits	>100KΩ
6	Reserved				
7	PT100 High Temperature	-200-800℃	0.1℃	0.5%FS±2digits	(0.2mA)
8	PT100 Low Temperature	-200-200℃	0.1℃	0.5%FS±1digits	(0.2mA)
9	CU50	-50-150℃	0.1℃	0.5%FS±1digits	(0.2mA)
10	0-20mV	0-20mV	10 digits AD	0.5%FS±3digits	>100KΩ
11	0-50mV	0-50mV	10 digits AD	0.5%FS±3digits	>100KΩ
12	Linear Resistance	0-400Ω	10 digits AD	1%FS±3digits	(0.2mA)

3) Output control

Output Type	Capacity
Relay	Relay output, 3A/220VAC
Current	Current output, 4-20mA, load resistance Max.600Ω
Logic	DC 24V voltage, drive load 30mA

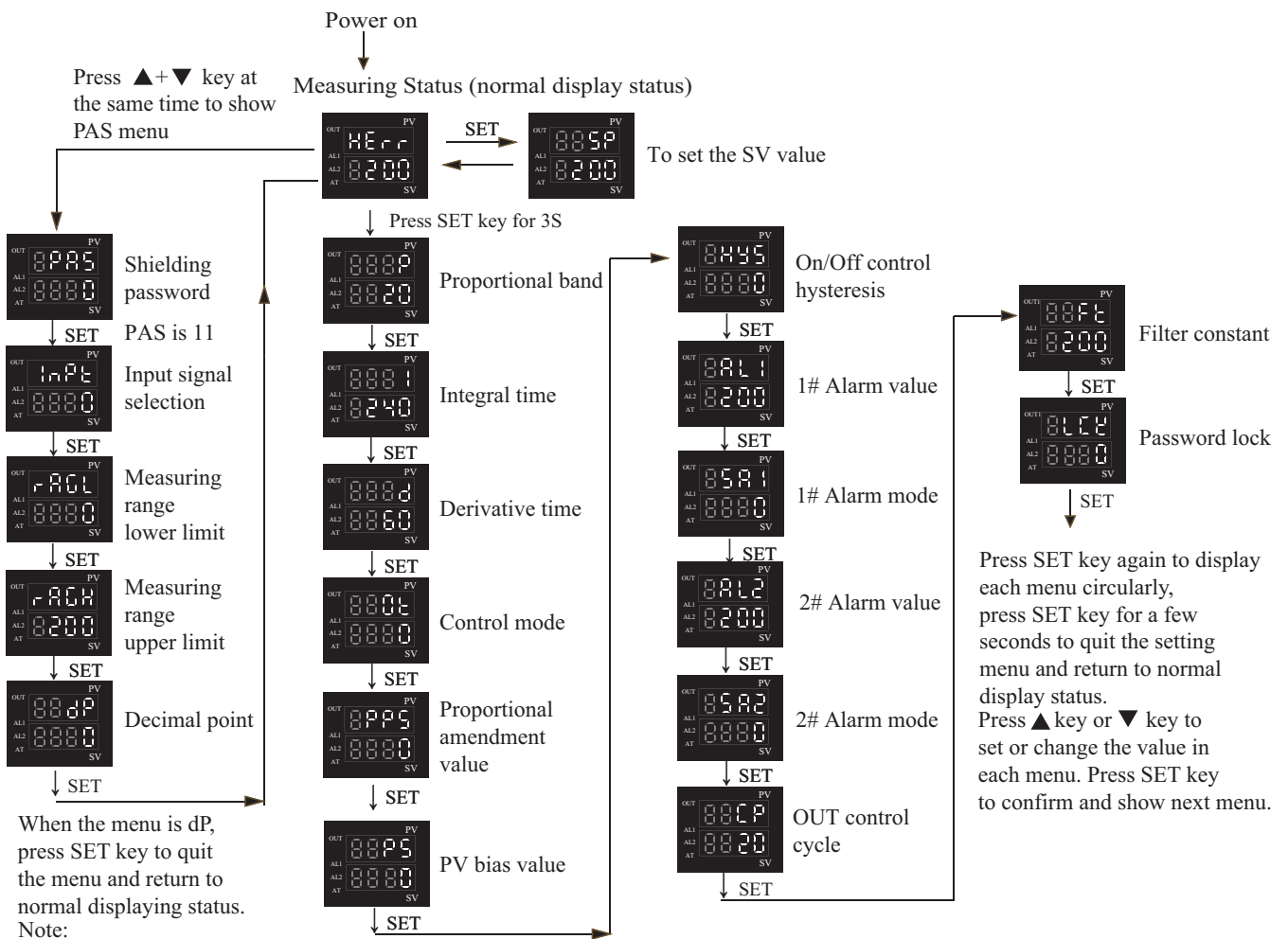
4. Panel



5. Panel Key Operation

- (1) SET Key: In normal display status, press SET Key to show SV modifying menu; press SET key for a few seconds to show setting menu.
- (2) “▲”, “▼” Key: Press ▲ or ▼ to set the value in SV value menu or setting menu.
- (3) “▲” Key: In normal display status, press it for a few seconds to start Auto-tuning applied to Quick heating / cooling system (For raising temperature quickly).
- (4) “▼” Key: In normal display status, press it for a few seconds to start Auto-tuning applied to Slow heating / cooling system (For small overshoot).

6. Operation Sequence



7. PID Control Menu

Parameter	Indication	Setting Range	Ex-Factory setting
P	Proportional Band. The smaller the proportional band is, the faster the system heats. Instead, the slower the system heats. Increase proportional band will decrease the oscillation, but increase control bias. Decrease proportional band will decrease control bias, but cause oscillation.	0-Upper Limit	20
I	Integral Time. The smaller the integral time is, the stronger the integral action is and better for eliminating the bias between it and the setting value. If the integral time is too short, it may not eliminate the bias.	0-3600	240
D	Derivative Time. To decrease the derivative time to a proper value can prevent the system from oscillating. The bigger the D is, the stronger the derivative action is.	0-3600	60
σt	0: On / Off control 1: Heating control 2: Cooling control	0-2	1
$PP5$	Proportional amendment value for amending static error.	0-10	0
$P5$	PV bias value for amending the bias caused by the measuring process.	-50-50	0
$H45$	On / Off control hysteresis (It is effective when σt is set as 0.)	0-25	0
$RL1$	Alarm #1 (Alarm hysteresis value is fixed at 0.6)	Lower limit - Upper limit	200
$SR1$	Alarm #1 mode (Please refer to alarm parameter table)	0-12	0
$RL2$	Alarm #2 (Alarm hysteresis value is fixed at 0.6)	Lower limit - Upper limit	200
$SR2$	Alarm #2 mode (Please refer to alarm parameter table)	0-6	0
CP	OUT control cycle. For relay output, it is bigger than 4; for logic or pulse output, it is 2; for current output, it is 1.	1-120S	20
Ft	Filter constant. The smaller Ft is, the faster response is, but it may cause fluctuation.	0-255	60
ζt	0: Allowed to change all parameters; 1: Only for SV value change; 2:Any change prohibited	0-2	0

Measuring parameters setting menu

Parameter	Indication	Setting range
INPT	Input signal selection, please refer to Input parameter table	0-12
RAGL	Lower limit of measuring range	Lower limit of input signal-RAGH
RAGH	Upper limit of measuring range	RAGL-Upper limit of input signal
DP	0:No decimal point 1: 1 digit decimal point 2: 2 digit decimal point (Not effective for TC/RTD input)	0-2

Alarm parameters table

Alarm code	Alarm mode	Alarm output (AL1, AL2 has no relation with each other)
1	Absolute value upper limit	
2	Absolute value lower limit	
3	Deviation upper limit	
4	Deviation lower limit	
5	Deviation upper / lower limit	
6	Deviation upper / lower range	

Alarm parameters table

Alarm code	Alarm mode	AL1, AL2 are used together, AL1 alarm output, AD2 must be set as 0
7	Absolute value upper / lower range	
8	Deviation upper / lower range	
9	Absolute value upper / deviation lower range	
10	Deviation upper / absolute value lower range	
11	Absolute value upper / lower limit	
12	Deviation upper / lower limit	

8. Advanced Function

The setting of P.I.D parameters & Auto-tuning operation

1. To set P.I.D parameters manually:

A default PID value has been set before the controller is ex-factory. This P.I.D value is applied to normal heating, cooling system for temperature control. If the performance is not so good with the default P.I.D, the value can be changed manually for the users who have some automation control theory and experience.

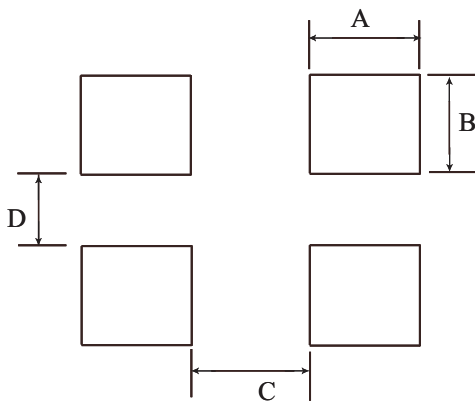
2. To set P.I.D parameters automatically:

If users do not know how to set P.I.D parameters, they can use the Auto-tuning function of the controller. Auto-tuning function is that the controller calculates the P, I, D value according to the specific heating system, and then controls temperature automatically as per the P, I, D value it gets.

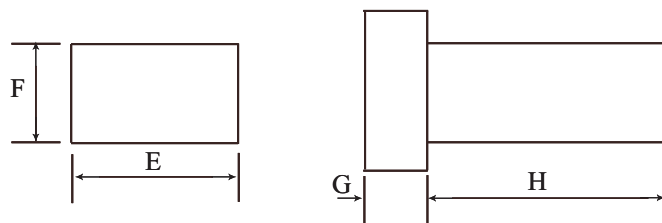
Auto-tuning method: At first set the SV value, press ▲ key or ▼ key for 3 seconds until “AT” indicating lamp turns on., “AT” lamp on means Auto-tuning is running. At this moment please don't change the SV value or any parameters on the machines / equipments in order to make sure the Auto-tuning accuracy. After “AT” lamp turns off, the controller will refresh the P.I.D value automatically. At this moment, the controller can control temperature automatically and accurately.

9. Mounting Dimension

1. Mounting



2. Dimension

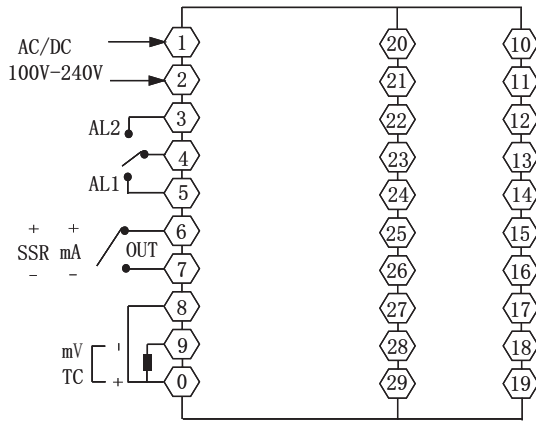


3. The dimension list of AI508 models:

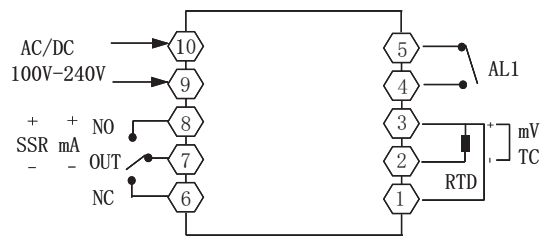
Model \ Size	A	B	C	D	E	F	G	H
AI508-4	44+0.5	44+0.5	30	25	48	48	5	100
AI508-6	44+0.5	91+0.5	25	30	48	96	12	100
AI508-7	67.5+0.8	67.5+0.8	30	25	72	72	12	100
AI508-9	91+0.5	91+0.5	25	25	96	96	18	100
AI508-8	91+0.5	44+0.5	25	30	96	48	12	100
AI508-80	154+0.5	76+0.5	30	25	160	80	10	92
AI508-16	76+0.5	154+0.5	25	30	80	160	10	92

10. Connection drawing

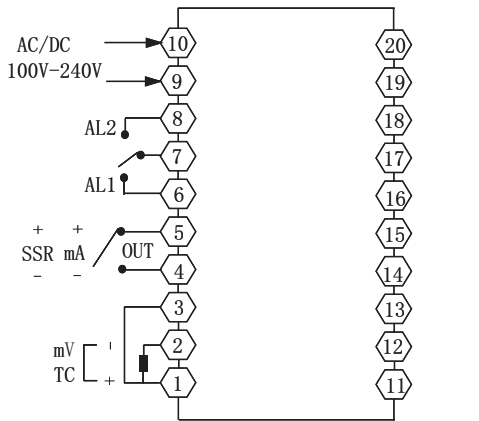
AI508-9 Power Supply: AC/DC 100V-240V
 Alarm Output: AC 250V 1A
 (Resistance Load)
 Voltage Control Output: DC 24V 30mA
 Current Control Output: 4-20mA
 Relay Control Output: AC 250V 3A



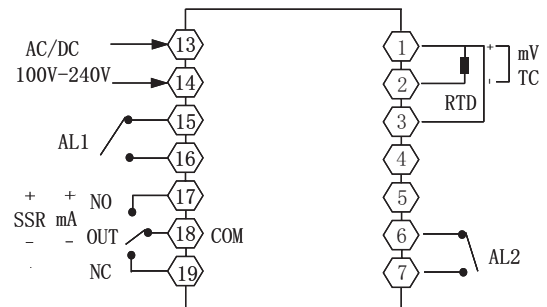
AI508-4 Power Supply: AC/DC 100V-240V
 Alarm Output: AC 250V 1A
 (Resistance Load)
 Voltage Control Output: DC 24V 30mA
 Current Control Output: 4-20mA
 Relay Control Output: AC 250V 3A



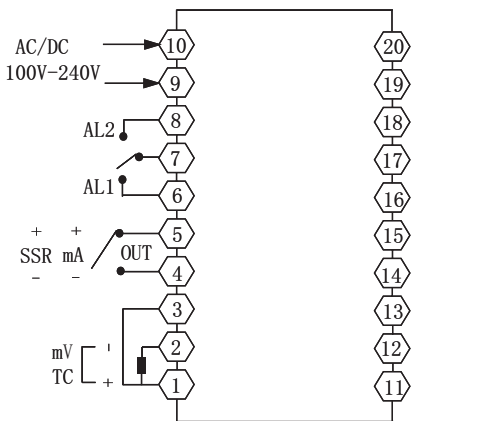
AI508-6 Power Supply: AC/DC 100V-240V
 Alarm Output: AC 250V 1A
 (Resistance Load)
 Voltage Control Output: DC 24V 30mA
 Current Control Output: 4-20mA
 Relay Control Output: AC 250V 3A



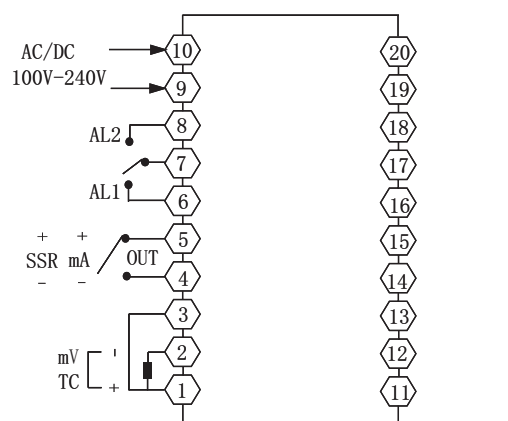
AI508-7 Power Supply: AC/DC 100V-240V
 Alarm Output: AC 250V 1A
 (Resistance Load)
 Voltage Control Output: DC 24V 30mA
 Current Control Output: 4-20mA
 Relay Control Output: AC 250V 3A



AI508-80/16 Power Supply: AC/DC 100V-240V
 Alarm Output: AC 250V 1A
 (Resistance Load)
 Voltage Control Output: DC 24V 30mA
 Current Control Output: 4-20mA
 Relay Control Output: AC 250V 3A



AI508-8 Power Supply: AC/DC 100V-240V
 Alarm Output: AC 250V 1A
 (Resistance Load)
 Voltage Control Output: DC 24V 30mA
 Current Control Output: 4-20mA
 Relay Control Output: AC 250V 3A



11. Simple Problem Shooting

Display Message	Shooting Method
Display HERR	Input disconnect or over upper limit, please check input signal, RAGH value and ambient temperature.
Display LERR	Input disconnect or under lower limit, please check input signal, RAGL value and ambient temperature.