

## 130 series servo motor



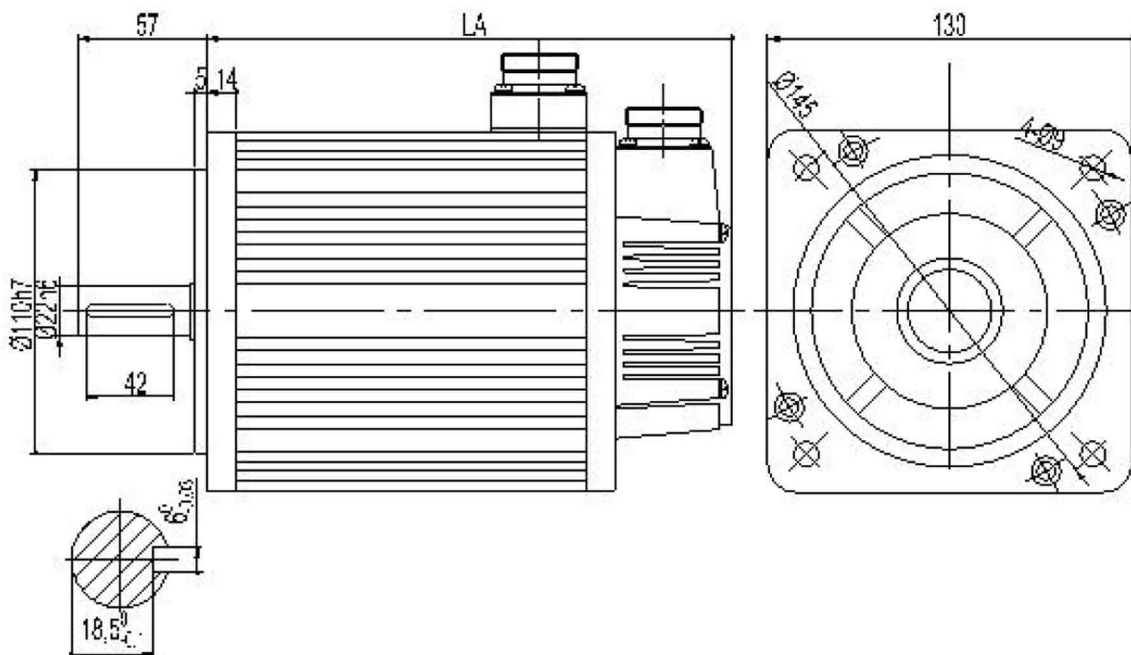
### Product description

MS series servo motor  
 Match DS2 series single phase/3-phase 1.5~2.3kw servo drive  
 Encoder is 2500 ppr

### Specifications:

Voltage level	220V	
Motor type	MS-130ST-M10015□□-21P5	MS-130ST-M06025□□-21P5
Rated power (KW)	1.5	1.5
Rated current (A)	6.0	6.0
Rated speed (rpm)	1500	2500
Rated torque (N·m)	10	6
Peak torque (N·m)	25	18
Back EMF constant (V/krpm)	103	65
Torque coefficient (N·m/A)	1.67	1.0
Rotor inertia (Kg·m <sup>2</sup> )	1.94×10 <sup>-3</sup>	1.26×10 <sup>-3</sup>
Winding resistor (Ω)	1.34	1.21
Winding inductance (mH)	5.07	3.87
Electrical time constant (ms)	3.78	3.26
Weight (Kg)	11.5	11.5
Encoder ppr (PPR)	2500	
Pole pairs	4	
Motor insulation level	Class B (130°C)	
Protection level	IP65	
Ambient temperature	-20°C~50°C	
Ambient humidity	Related humidity <90% (no condensation)	

### Dimension (unit: mm)



Model	LA
MS-130ST-M06025□□-21P5	179
MS-130ST-M10015□□-21P5	213