

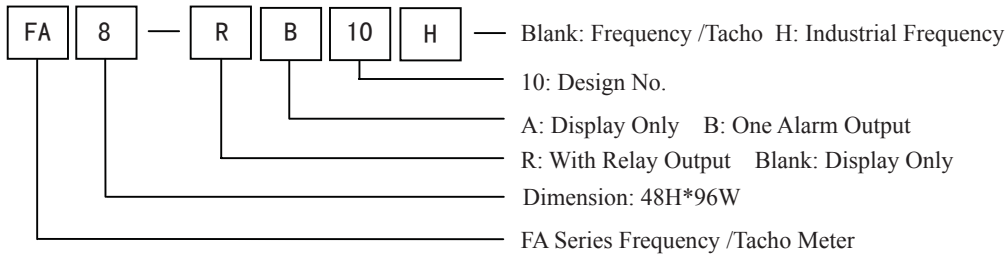
# FA8 series Industrial Frequency, Frequency, Tacho Digital Meter



## FEATURES:

- Big LED display, easy to read
- High measuring accuracy, stable performance
- FA8-\*\*10 is for measuring frequency, tacho
- FA8-\*\*10H is for measuring sine AC frequency
- Panel size: 48H×96W
- Prescale coefficient setting function

## 1. Model Code



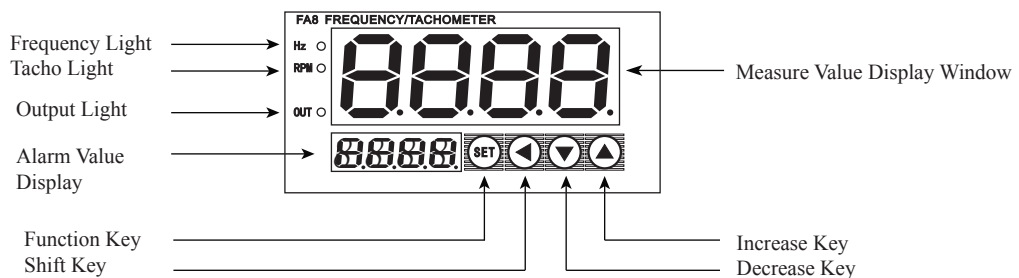
## 2. Model Indication

Model	Size	Display	Function	Input Signal Level	Alarm
FA8-A10	48Hx96W	Dual Line 4 Digit	Frequency, Tacho	L:0-2Vdc H:5-30Vdc	No
FA8-RB10	48Hx96W	Dual Line 4 Digit	Frequency, Tacho	L:0-2Vdc H:5-30Vdc	One Alarm
FA8-A10H	48Hx96W	Dual Line 4 Digit	Industrial frequency	60-450VAC	No
FA8-RB10H	48Hx96W	Dual Line 4 Digit	Industrial frequency	60-450VAC	One Alarm

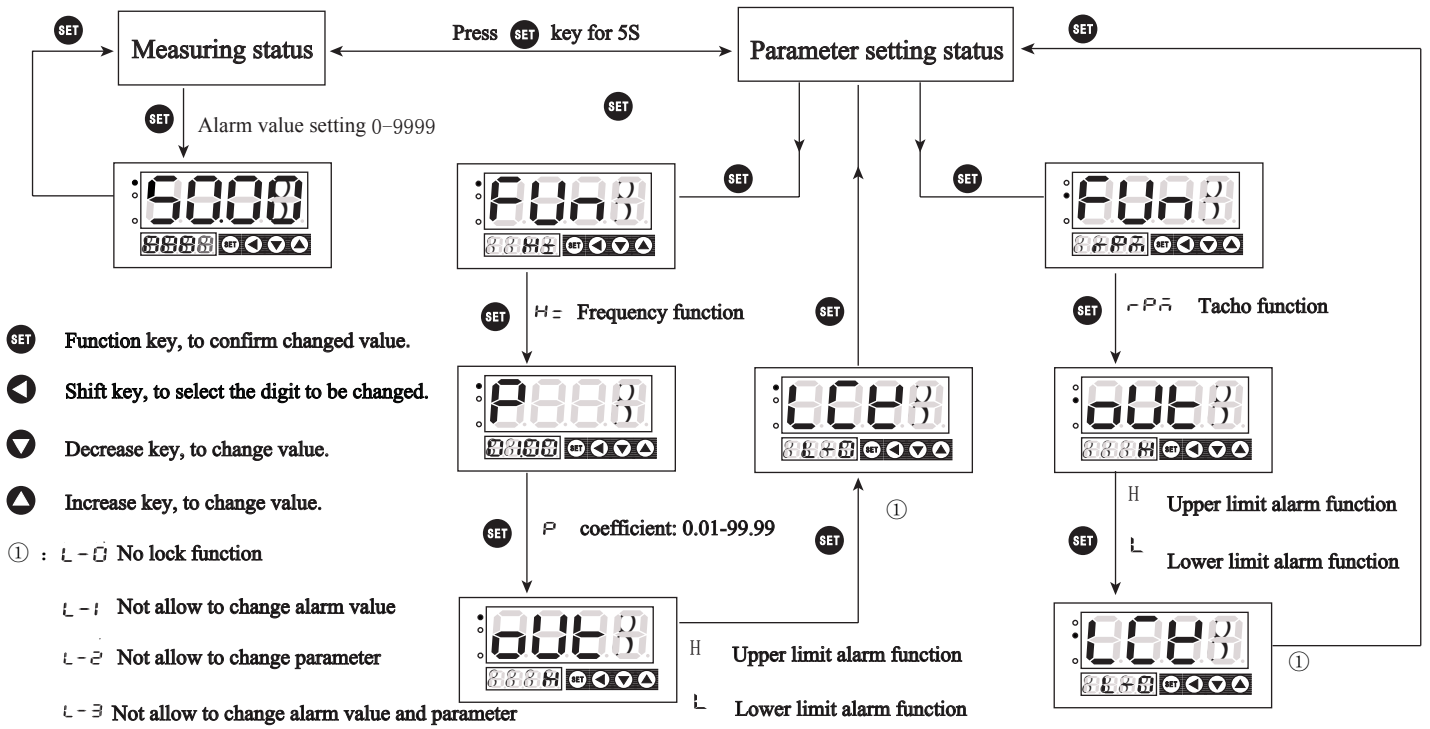
## 3. Technical Specification

Function	To measure frequency or Tacho
Input Mode	Frequency / Tacho: L:0-2Vdc , H:5-30Vdc. Industrial frequency: 60-450VAC
Measuring Range	Frequency: 0.1--5000Hz, Industrial Frequency: 0.1--1000Hz, Tacho: 6--9999RPM
Measuring Accuracy	±0.1% (25°C±5°C)
Power Consumption	≤3VA
Input Impedance	FA8-**10≥10KΩ, FA8-**10H≥300KΩ
Decimal Point	Frequency/Industrial Frequency: 00.00--0000 (Float decimal point), Tacho: No decimal point.
Responding Speed	About 0.5S
Max. Display	9999
Operating Humidity	≤85% RH
Operating Temperature	0~50°C
Power Supply	AC 110V/220V 60/50Hz
Dimension	48mm(H)×96mm(W)×110mm(L)
Weight	350g
Insulation Strength	AC 2000V 1min
Insulation Impedance	DC 500V ≥100MΩ

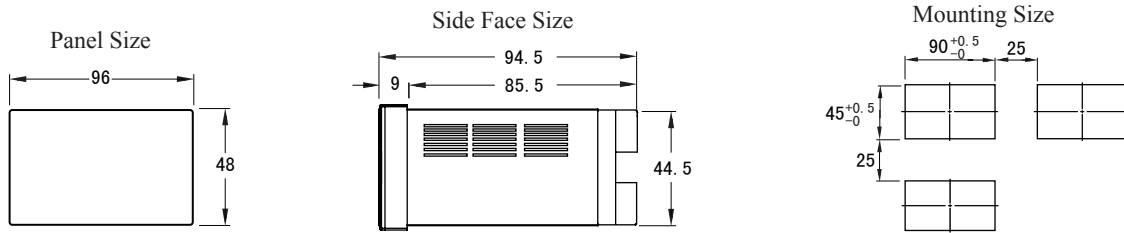
## 4. Panel Indication



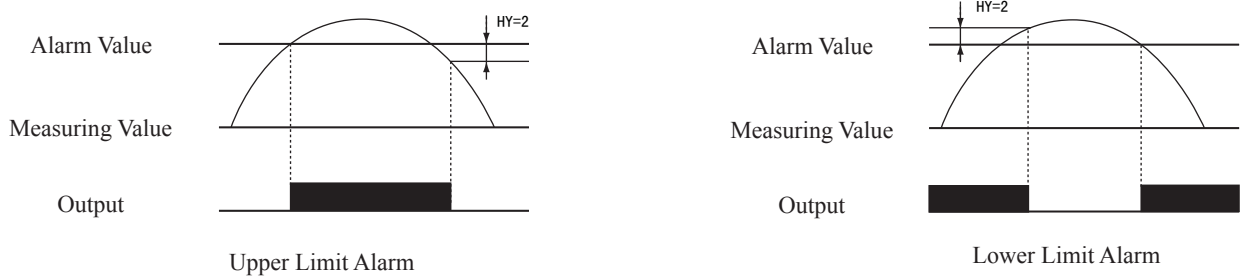
## 5. Operation Sequence



## 6. Dimension



## 7. Output Logic Chart



## 8. Terminal Connection

